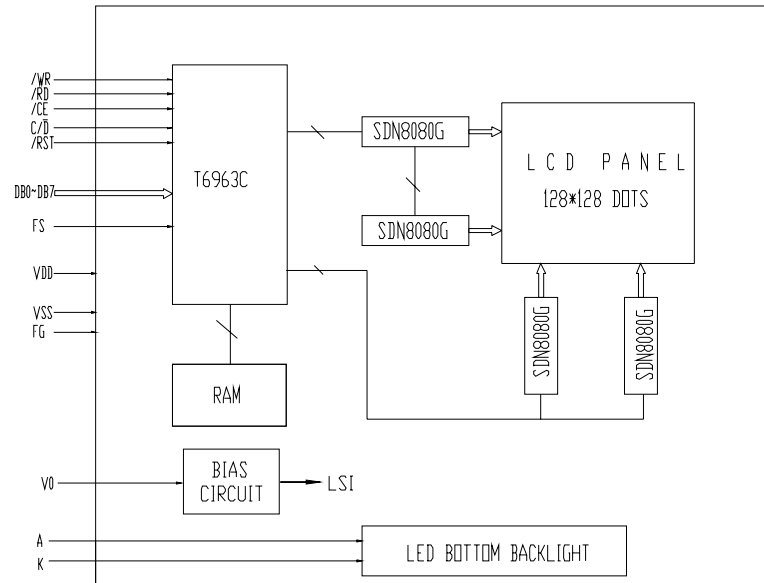


**NOTES:**

1. OPERATING TEMPERATURE: -20°C TO 70°C  
STORAGE TEMPERATURE: -30°C TO 80°C
2. LCD MODEL: STN/YELLOWGREEN/TRANSFLECTIVE
3. 1/128 DUTY, 1/12 BIAS, V<sub>OP</sub>=18.0V, V<sub>DD</sub>=5.0V
4. VIEWING ANGLE: 6:00 O'CLOCK
5. LED B/L: YELLOWGREEN
6. ROHS COMPLIANT

CNI

1	2	3	4	5	6	7	8	9	10	11	12	13	14	15	16	17	18	19	20
FG	VSS	VDD	V0	/WR	/RD	/CE	C/D	/RST	DB0	DB1	DB2	DB3	DB4	DB5	DB6	DB7	FS	A	K



CUSTOMER APVL		CUSTOMER		DATE	
DRAWN		SCALE		TITLE	
DFTG CHK		UNIT		MI128128F	
ENGR CHK		mm		MODEL	
APPROVAL				DWG NO	
MULTI-INNO TECHNOLOGY CO.,LTD.				PAGE	
				1/1	